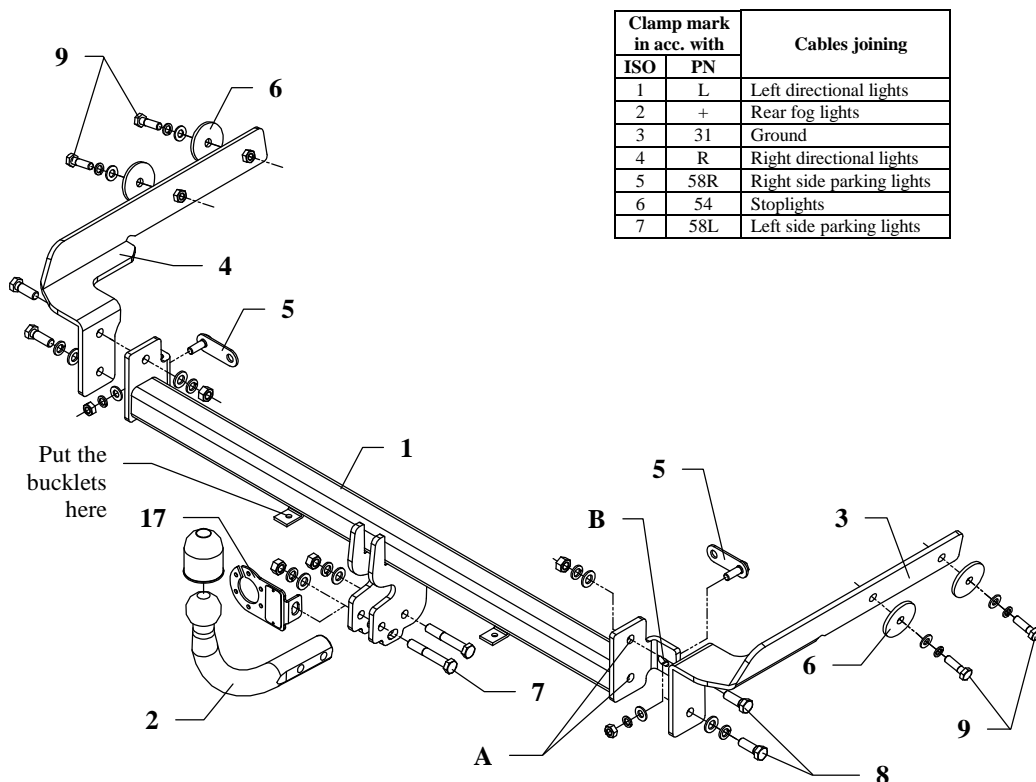


FITTING INSTRUCTION



This towbar is designed to assembly in following cars:
FORD FOCUS ESTATE, produced since 1998 till 2005, catalogue no.
C29 and is prepared to tow trailers max total weight **1400 kg** and max vertical load **75 kg**.

From manufacturer

Thank you for buying our product. Their reliability has been confirmed in many tests. Reliability of towbar depends also on correct assembly and right operation. For this reasons we kindly ask to read carefully this instruction and apply to hints.

The towbar should be install in points described by a car producer.

The instruction of the assembly

1. Reassemble the bumper, then take the original filling out the bumper (this part is not used any more).
2. Slide the elements (pos. 3 and 4) to the chassis members and fix it loosely through the chassis` original holes, use bolts M10x35mm (pos. 9) and round washers (pos. 6).
3. Slide the main bar (pos. 1) between mounted parts (pos. 3 and 4) and fix it through the holes (pos. A) using bolts M12x35mm (pos. 8).
4. Position the elements (pos. 5) and fix it through the holes (pos. B).
5. Tighten all nuts and bolts according to the torque shown in the table.
6. Reassemble the bumper - fasten it to the towbar using bucklets from the bumper filling.
7. Fix tow-ball (pos. 2) with socket plate (pos. 17) using bolts M12x75mm (pos. 7) from accessories.
8. Connect electric wires of 7-poles socket according to the instruction of the car. (Recommend to make at authorized service station).
9. Complete paint layer damaged during installation.

Torque settings for nuts and bolts (8,8):

M6 - 11 Nm	M8 - 25 Nm	M10 - 50 Nm
M12 - 87 Nm	M14 - 138 Nm	M16 - 210 Nm

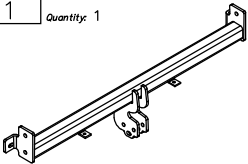






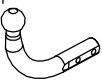
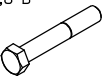

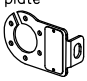
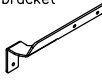
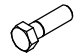

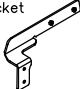
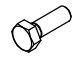

NOTE

After install the towbar you should get adequate note in registration book (at authorised service station).The car should be equipped with:

- Indicators
- Tow mirrors

After 1000km of exploitation check all bolts and nuts. The ball of towbar must be always kept clear and conserve with a grease.

Towbar accessories:

Pos. 1 Name: Main bar Quantity: 1 	Pos. 5 Name: Handle of the bracket Quantity: 2 	Pos. 10 Name: Nut 8 B Quantity: 4 Dim.: M12 	Pos. 15 Name: Spring washer Quantity: 6 Dim.: Ø 10,2 mm 
	Pos. 6 Name: Washer Quantity: 4 Dim.: Ø57xØ12x5 	Pos. 11 Name: Nut 8 B Quantity: 2 Dim.: M10 	Pos. 16 Name: Ball cover Quantity: 1 
Pos. 2 Name: Tow ball Quantity: 1 	Pos. 7 Name: Bolt 8,8 B Quantity: 2 Dim.: M12x75mm 	Pos. 12 Name: Plain washer Quantity: 6 Dim.: Ø 13 mm 	Pos. 17 Name: Socket plate Quantity: 1 
Pos. 3 Name: Right bracket Quantity: 1 	Pos. 8 Name: Bolt 8,8 B Quantity: 4 Dim.: M12x35mm 	Pos. 13 Name: Plain washer Quantity: 6 Dim.: Ø 10,5 mm 	
Pos. 4 Name: Left bracket Quantity: 1 	Pos. 9 Name: Bolt 8,8 B Quantity: 4 Dim.: M10x35mm 	Pos. 14 Name: Spring washer Quantity: 6 Dim.: Ø 12,2 mm 	



PPUH AUTO-HAK S.J.

Produkcja Zaczepów Kulowych
Henryk & Zbigniew Nejman
76-200 SŁUPSK ul. Słoneczna 16K
tel/fax (059) 8-414-414; 8-414-413
E-mail: office@autohak.com.pl
www.autohak.com.pl

Towing hitch (without electrical set)

Class: **A50-X** Cat. no. **C29**

Designed for:

Manufacturer: **FORD**

Model: **FOCUS**

Type: **ESTATE**

produced since 1998 till 2005

Technical data:

D-value: 7,4 kN

maximum trailer weight: **1400 kg**

maximum vertical cup load: **75 kg**

Approval number acc. to regulations EKG/ONZ 55.01: **E20-55R-01 0823**

Foreword

This towbar is designed according to rules of safety traffic regulations. The towing hitch is a safety component and can be install only by qualified personnel. Any alteration or conversion of the towing hitch is prohibited and would lead to cancellation of design certification. Remove insulating compound and underseal from vehicle (if present) in the area of the matting surfaces of the towing hitch.

The vehicle manufacturer's specifications regarding trailer load and max. vertical cup load are decisive for driving whereat values for the towing hitch cannot be exceeded.

D-value formula:

$$\frac{\text{Max trailer weight [kg]} \times \text{Max vehicle weight [kg]}}{\text{Max trailer weight [kg]} + \text{Max vehicle weight [kg]}} \times \frac{9,81}{1000} = D \text{ [kN]}$$