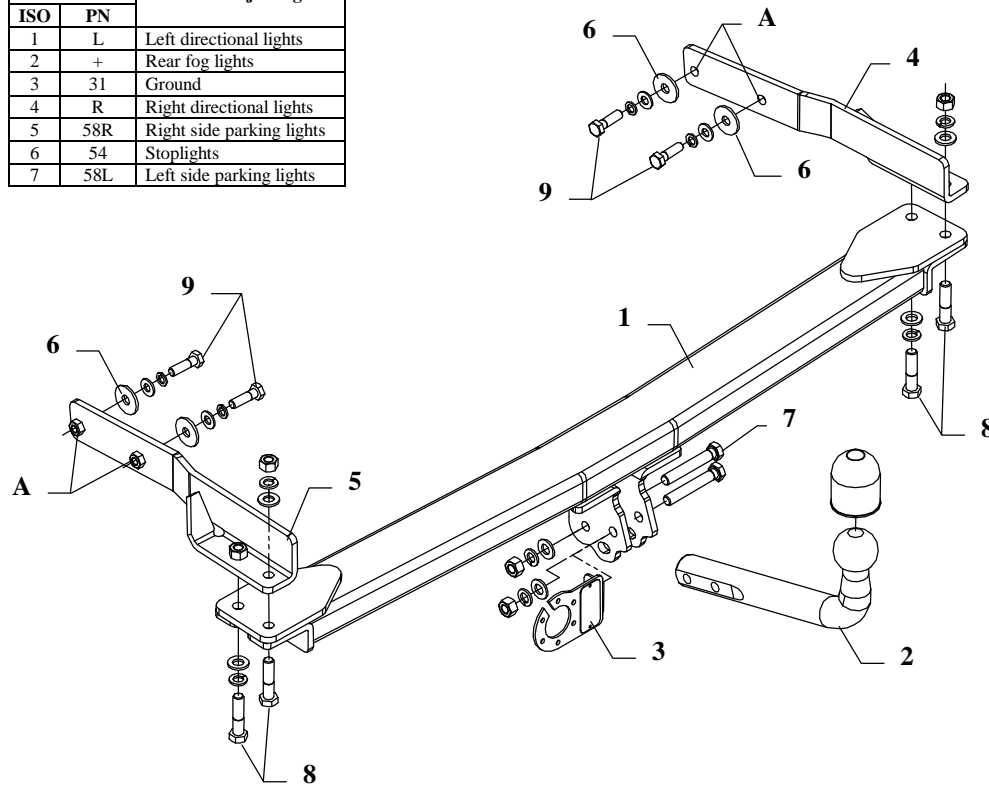


## FITTING INSTRUCTION

Clamp mark in acc. with		Cables joining
ISO	PN	
1	L	Left directional lights
2	+	Rear fog lights
3	31	Ground
4	R	Right directional lights
5	58R	Right side parking lights
6	54	Stoplights
7	58L	Left side parking lights



This towbar is designed to assembly in following cars:  
**MERCEDES W 210, class E, 4 door**, produced since 06.1995 till 03.2002, catalogue no. **D22** and is prepared to tow trailers max total weight **2200 kg** and max vertical mass **75 kg**.

### *From manufacturer*

Thank you for buying our product. Their reliability has been confirmed in many tests. Reliability of towbar depends also on correct assembly and right operation. For this reasons we kindly ask to read carefully this instruction and apply to hints.

*The towbar should be install in points described by a car producer.*

## The instruction of the assembly

1. Disassemble the bumper.
2. Get lower the muffler.
3. Unscrew the heat sheet.
4. Find marked places for holes on the left and right side (to find it please position the main bar of the towbar – pos. 1), then drill  $\varnothing 13\text{mm}$ .
5. Find marked places for holes in the rear panel on the left and right side and then drill  $\varnothing 70\text{mm}$ .
6. Slide the brackets (pos. 4 and 5) to the chassis member.
7. Position the main bar of towbar (pos. 1) and fix it loosely together with the brackets using bolts M12x50mm – pos. 8 (see the drawing).
8. Fix the brackets at points (pos. A) using bolts M10x35mm (pos. 9) and large washers (pos. 6).
9. Fix tow-ball (pos. 2) and the socket plate (pos. 3) using M12x75mm (pos. 7) bolts from the towbar accessories.
10. Reassemble the bumper. **NOTE!** Cut gently its lower edge before (if necessary).
11. Tighten all nuts and bolts according to the torque shown in the table.
12. Connect to the electric wires according to the instructions of the car.
13. Complete the paint cover of towbar (during the mounting paint cover could be destroyed).

Torque settings for nuts and bolts (8,8):

**M 8 - 25 Nm**

**M 10 - 55 Nm**

**M 12 - 85 Nm**

**M 14 - 135 Nm**

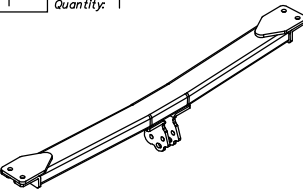
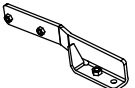



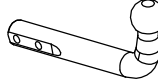
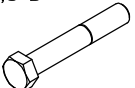

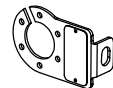


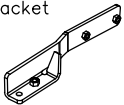



### NOTE

After install the towbar you should get adequate note in registration book (at authorised service station).The car should be equipped with:

- Indicators
- Tow mirrors

After 1000km of exploitation check all bolts and nuts. The ball of towbar must be always kept clear and conserve with a grease.

## Towbar accessories:

Pos. 1	Name: Main bar Quantity: 1	Pos. 5	Name: Left bracket Quantity: 1	Pos. 10	Name: Nut 8 B Quantity: 4 Dim.: M12
					
		Pos. 6	Name: Washer Quantity: 4 Dim.: $\phi 35 \times \phi 12 \times 3 \text{mm}$	Pos. 11	Name: Plain washer Quantity: 6 Dim.: $\phi 13 \text{ mm}$
					
Pos. 2	Name: Tow ball Quantity: 1	Pos. 7	Name: Bolt 8,8 B Quantity: 2 Dim.: M12x75mm	Pos. 12	Name: Plain washer Quantity: 4 Dim.: $\phi 10,5 \text{ mm}$
					
Pos. 3	Name: Socket plate Quantity: 1	Pos. 8	Name: Bolt 8,8 B Quantity: 4 Dim.: M12x50mm	Pos. 13	Name: Spring washer Quantity: 6 Dim.: $\phi 12,2 \text{ mm}$
					
Pos. 4	Name: Right bracket Quantity: 1	Pos. 9	Name: Bolt 8,8 B Quantity: 4 Dim.: M10x35mm	Pos. 14	Name: Spring washer Quantity: 4 Dim.: $\phi 10,2 \text{ mm}$
					
				Pos. 15	Name: Ball cover Quantity: 1
					



## PPUH AUTO-HAK S.J.

Produkcja Zaczepów Kulowych  
Henryk & Zbigniew Nejman  
76-200 SŁUPSK ul. Słoneczna 16K  
tel/fax (059) 8-414-414; 8-414-413  
E-mail: [office@autohak.com.pl](mailto:office@autohak.com.pl)  
[www.autohak.com.pl](http://www.autohak.com.pl)

### Towing hitch (without electrical set)

Class: **A50-X** Cat. no. **D22**

Designed for:

Manufacturer: **MERCEDES**

Model: **W 210, class E**

Type: **4door**

produced since 06.1995 till 03.2002

Technical data:

**D-value: 10,46 kN**

maximum trailer weight: **2200 kg**

maximum vertical cup mass: **75 kg**

Approval number according to Directive 94/20/EC: **e20\*94/20\*0658\*00**

### Foreword

This towbar is designed according to rules of safety traffic regulations. The towing hitch is a safety component and can be install only by qualified personnel. Any alteration or conversion of the towing hitch is prohibited and would lead to cancellation of design certification. Remove insulating compound and underseal from vehicle (if present) in the area of the matting surfaces of the towing hitch. The vehicle manufacturer's specifications regarding trailer load and max. vertical cup load are decisive for driving, and values for the towing hitch cannot be exceeded.

*D-value formula:*

$$\frac{\text{Max trailer weight [kg]} \times \text{Max vehicle weight [kg]}}{\text{Max trailer weight [kg]} + \text{Max vehicle weight [kg]}} \times \frac{9,81}{1000} = D \text{ [kN]}$$