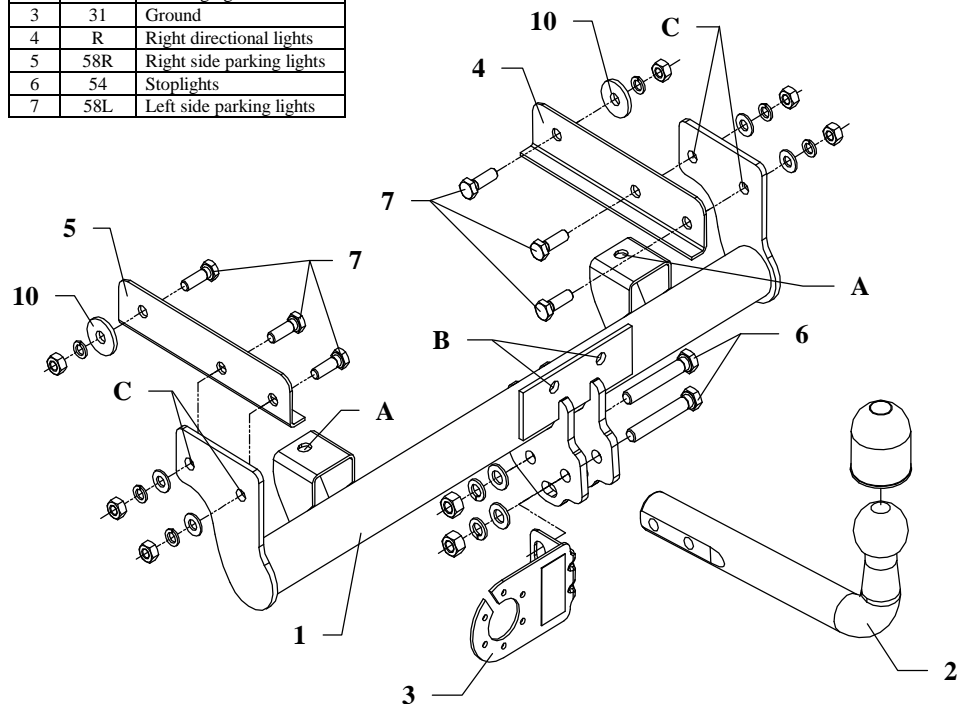


## FITTING INSTRUCTION

Clamp mark in acc. with		Cables joining
ISO	PN	
1	L	Left directional lights
2	+	Rear fog lights
3	31	Ground
4	R	Right directional lights
5	58R	Right side parking lights
6	54	Stoplights
7	58L	Left side parking lights



This towbar is designed to assembly in following cars: **POLONEZ CARO** and **POLONEZ CARO-ATU**, produced since 1992 till 1997, catalogue no. **S04** and is prepared to tow trailers max total weight **1000 kg** and max vertical load **50 kg**.

### *From manufacturer*

Thank you for buying our product. Their reliability has been confirmed in many tests. Reliability of towbar depends also on correct assembly and right operation. For this reasons we kindly ask to read carefully this instruction and apply to hints.

*The towbar should be install in points described by a car producer.*

## The instruction of the assembly

1. Disassemble rear muffler. Disassemble original towing eye, take bolts for the next operation.
2. Protect fuel tank against fall out. Unscrew bands of fuel tank and pull it lower.
3. Put the main bar of the towbar (pos. 1) to protruding bolts through holes (pos. A) and next through bands of fuel tank and fix all.
4. Fix the main bar of the towbar (pos. 1) using bolts M8 through holes (pos. B) and existing holes after original towing eye (use disassembled bolts and hole in bumper).
5. Drill side chamber of spare wheel using bit  $\varnothing 11\text{mm}$ . You will need angle driller. When You haven't it, use sharp punch to make points through holes (pos. C). Marked points drill next using bit  $\varnothing 11\text{mm}$ .
6. Put brackets (pos. 4 and 5) to chamber of spare wheel and through holes (pos. C) fix all using bolts M10x30mm (pos. 7).
7. Through rest of holes in brackets (pos. 4 and 5) drill holes to chamber of spare wheel (bit  $\varnothing 11\text{mm}$ ) and fix using bolts M10x30mm (pos. 7). Use washers (pos. 10).
8. Fix tow-ball (pos. 2) with socket plate (pos. 3) using bolts M12x75mm (pos. 6) from accessories.
9. Tighten all bolts according to the torque shown in the table.
10. Connect electric wires of 7-poles socket according to the instruction of the car. (Recommend to make at authorized service station).
11. Complete paint layer damaged during installation.

Torque settings for nuts and bolts (8,8):	
<b>M 8</b> - 25 Nm	<b>M 10</b> - 55 Nm
<b>M 12</b> - 85 Nm	<b>M 14</b> - 135 Nm

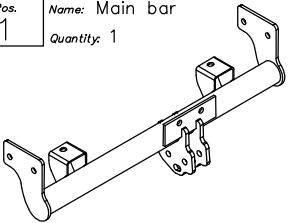
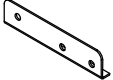

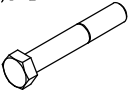

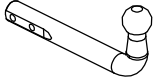
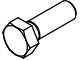

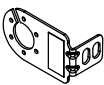


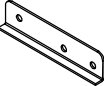



### NOTE

After install the towbar you should get adequate note in registration book (at authorised service station).The car should be equipped with:

- Indicators
- Tow mirrors

After 1000km check all bolts and nuts. The ball of towbar must be always kept clear and conserve with a grease.

## Towbar accessories:

Pos. 1	Name: Main bar Quantity: 1	Pos. 5	Name: Left bracket Quantity: 1	Pos. 10	Name: Washer Quantity: 2 Dim.: $\varnothing 35 \times \varnothing 12 \times 4 \text{ mm}$
					
		Pos. 6	Name: Bolt 8,8 B Quantity: 2 Dim.: M12x75mm	Pos. 11	Name: Plain washer Quantity: 2 Dim.: $\varnothing 13 \text{ mm}$
					
Pos. 2	Name: Tow ball Quantity: 1	Pos. 7	Name: Bolt 8,8 B Quantity: 6 Dim.: M10x30mm	Pos. 12	Name: Plain washer Quantity: 4 Dim.: $\varnothing 10,5 \text{ mm}$
					
Pos. 3	Name: Socket plate Quantity: 1	Pos. 8	Name: Nut 8 B Quantity: 2 Dim.: M12	Pos. 13	Name: Spring washer Quantity: 2 Dim.: $\varnothing 12,2 \text{ mm}$
					
Pos. 4	Name: Right bracket Quantity: 1	Pos. 9	Name: Nut 8 B Quantity: 6 Dim.: M10	Pos. 14	Name: Spring washer Quantity: 6 Dim.: $\varnothing 10,2 \text{ mm}$
					
		Pos. 15	Name: Ball cover Quantity: 1		



## PPUH AUTO-HAK S.J.

Produkcja Haków Holowniczych  
Henryk & Zbigniew Nejman  
76-200 SŁUPSK ul. Słoneczna 16K  
tel/fax (059) 8-414-414; 8-414-413  
E-mail: [office@autohak.com.pl](mailto:office@autohak.com.pl)  
[www.autohak.com.pl](http://www.autohak.com.pl)

## Towing hitch (without electrical set)

Class: **A50-X** Cat. no. **S04**

Designed for:

Manufacturer: **POLONEZ**

Models: **CARO**

**CARO-ATU**

produced since 1992 till 1997

Technical data:

**D-value: 6,00 kN**

maximum trailer weight: **1000 kg**

maximum vertical cup load: **50 kg**

Approval number acc. to regulations EKG/ONZ 55.01: **E20-55R-01 0853**

## Foreword

This towbar is designed according to rules of safety traffic regulations. The towing hitch is a safety component and can be installed only by qualified personnel. Any alteration or conversion of the towing hitch is prohibited and would lead to cancellation of design certification. Remove insulating compound and underseal from vehicle (if present) in the area of the mating surfaces of the towing hitch. The vehicle manufacturer's specifications regarding trailer load and max. vertical cup load are decisive for driving whereat values for the towing hitch cannot be exceeded.

*D-value formula:*

$$\frac{\text{Max trailer weight [kg]} \times \text{Max vehicle weight [kg]}}{\text{Max trailer weight [kg]} + \text{Max vehicle weight [kg]}} \times \frac{9,81}{1000} = D \text{ [kN]}$$