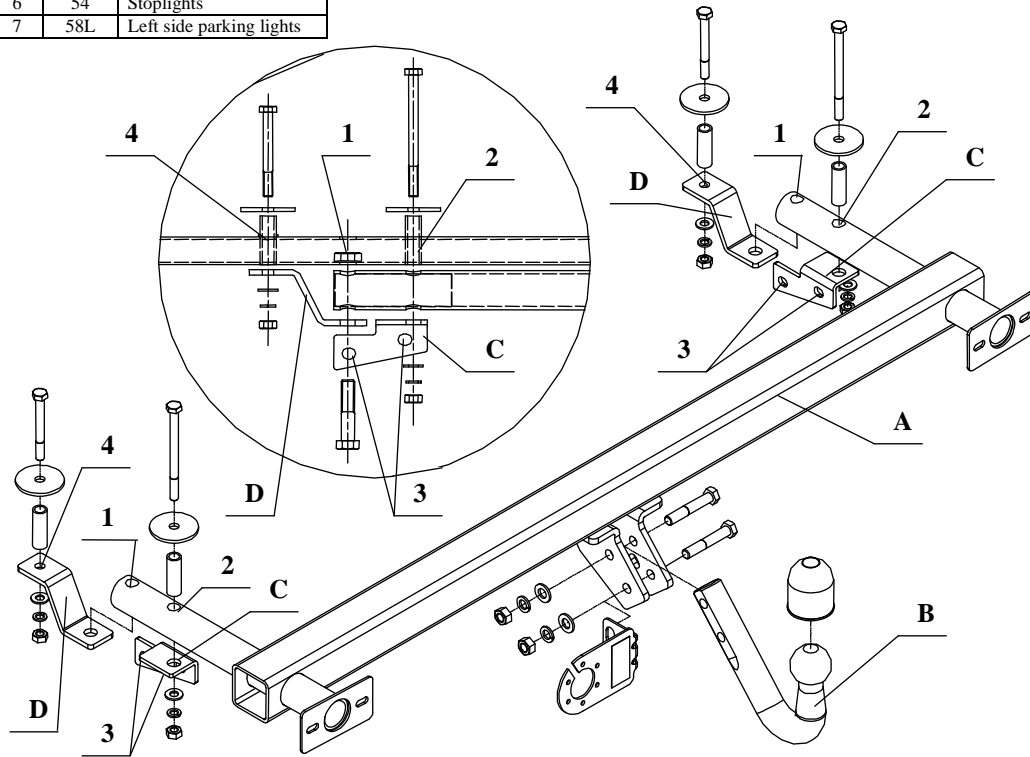


Clamp mark in acc. with		Cables joining
ISO	PN	
1	L	Left directional lights
2	+	Rear fog lights
3	31	Ground
4	R	Right directional lights
5	58R	Right side parking lights
6	54	Stoplights
7	58L	Left side parking lights

FITTING INSTRUCTION



The towbar can be used in the following car:

LADA NIVA, produced since 1976, catalogue number **N04**

Max trailer load **1900 kg**

Max vertical load **75 kg**

From manufacturer

Thank you for buying our product. Their reliability has been confirmed in many tests. Reliability of towing hitch depends also on correct assembly and right operation. For this reasons we kindly ask to read carefully this instruction and apply to hints.

The towing hitch should be install in points described by a car producer.

The instruction of the assembly

1. Disassemble the tubular side brackets, and next dismount brackets from the bumper.
2. Apply the bar (pos. A) in the place of dismantled brackets. Install at points made by the manufacturer.
3. Put the bolt M14x1,5 (from disassembly) underneath the car by the element (pos. D) and through hole (pos. 1) to the existing nut in the chassis.
4. Drill by bit $\varnothing 11$ mm, through hole (pos. 2) in the chassis, in direction to the interior of the boot.
5. Enlarge holes by bit $\varnothing 17,5$ mm only from the boot side. Slip distance sleeves.
6. Above drilled holes find and remove rubber plugs. Slip distance sleeves.
7. Through original prepared holes (pos. 3) and elements C apply bolts M10x1,5 as shown in the drawing.
8. Through holes pos. 2 and 4 fix bolts M10x130mm and M10x90mm from equipment (from boot side, through fish-plates and distance sleeves).
9. Tighten all bolts according to the torque shown in the table.
10. Fix tow-ball (pos. B) and socket plate by bolts M12x70mm from equipment.
11. Connect electric wires of 7-poles socket according to the instruction of the car. (Recommend to make at authorized service station).
12. Complete paint layer damaged during installation.

Torque settings for nuts and bolts (8,8):

M6 - 11 Nm

M8 - 25 Nm

M10 - 50 Nm

M12 - 87 Nm

M14 - 138 Nm

M16 - 210 Nm

NOTE

After install the towing hitch you should get adequate note in registration book (at authorised service station). The car should be equipped with:

- Indicators
- Tow mirrors

After 1000km of exploitation check all bolts and nuts. The ball of towing hitch must be always kept clear and conserve with a grease.



PPUH AUTO-HAK S.J.

Produkcja Zaczepów Kulowych
Henryk & Zbigniew Nejman
76-200 SŁUPSK ul. Słoneczna 16K
tel/fax (059) 8-414-414; 8-414-413
E-mail: office@autohak.com.pl
www.autohak.com.pl

Towing hitch (without electrical set)

Class: **A50-X** Cat. no. **N04**

Designed for:

Manufacturer: **LADA**

Model: **NIVA**

Type: **3 doors**

produced since 1976

Technical data:

D-value: 9,2 kN

maximum trailer weight: **1900 kg**

maximum vertical cup load: **75 kg**

Approval number acc. to regulations EKG/ONZ 55.01: E20-55R-01 1050

Foreword

This towing hitch is designed according to rules of safety traffic regulations. The towing hitch is a safety component and can be install only by qualified personnel. Any alteration or conversion of the towing hitch is prohibited and would lead to cancellation of design certification. Remove insulating compound and underseal from vehicle (if present) in the area of the matting surfaces of the towing hitch.

The vehicle manufacturer's specifications regarding trailer mass and max. vertical cup mass are decisive for driving whereat values for the towing hitch cannot be exceeded.

D-value formula:

$$\frac{\text{Max trailer weight [kg]} \times \text{Max vehicle weight [kg]}}{\text{Max trailer weight [kg]} + \text{Max vehicle weight [kg]}} \times \frac{9,81}{1000} = D \text{ [kN]}$$