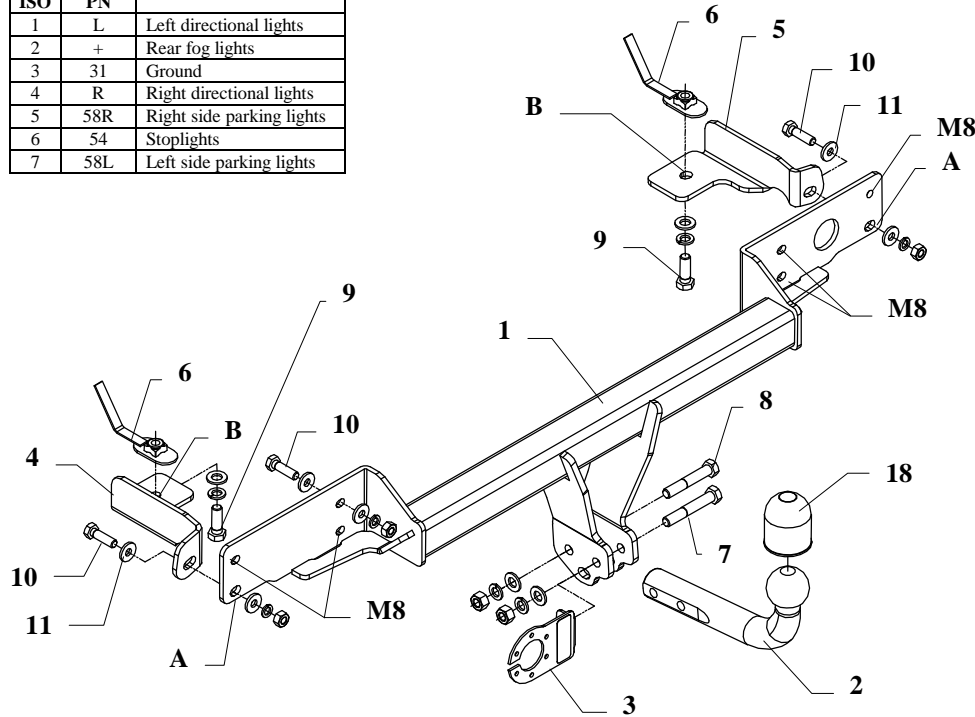


FITTING INSTRUCTION

Clamp mark in acc. with		Cables joining
ISO	PN	
1	L	Left directional lights
2	+	Rear fog lights
3	31	Ground
4	R	Right directional lights
5	58R	Right side parking lights
6	54	Stoplights
7	58L	Left side parking lights



This towbar is designed to assembly in following cars: **FIAT PANDA 4x4**, produced since 09.2004, catalogue number **R34** and is prepared to tow trailers max total weight up to **800 kg** and max vertical load **60 kg**.

From manufacturer

Thank you for buying our product. Their reliability has been confirmed in many tests. Reliability of towbar depends also on correct assembly and right operation. For this reasons we kindly ask to read carefully this instruction and apply to hints.

The towbar should be install in points described by a car producer.

The instruction of the assembly

1. Disassemble the bumper.
2. Get lower the muffler from rear handle.
3. Unrivet thermal shield.
4. Disassemble metal reinforcement of the bumper.
5. In this place put bar of the towbar (pos. 1) and together with reinforcement fix with nuts M8.
6. Elements (pos. 4 and 5) put to the chassis in that way that holes pos. A and B agrees with holes in rear part and with square holes in chassis members.
-holes (pos. A) fix to bar (pos. 1) using bolts M10x35mm (pos. 10),
-holes (pos. B) fix to chassis member with bolts M12x35mm (pos. 9) and with nuts at the jib (pos. 6), this nuts on the jib put early through the trunk, after disclose plugged holes.
7. Rivet to thermal cover using rivets $\varnothing 4 \times 12 \text{mm}$ (4 pcs.) – pos. 17.
8. Assemble the muffler.
9. Assemble the bumper.
10. Fix tow-ball (pos. 2) and socket plate (pos. 3) using bolts M12x75mm (pos. 7) and M12x70mm (pos. 8) from accessories.
11. Tight all bolts according to the torque shown in the table.
12. Connect electric wires according to the instruction of the car. (Recommend to do at authorized service station).
13. Complete paint layer damaged during installation.

Torque settings for nuts and bolts (8,8):

M6 - 11 Nm	M8 - 25 Nm	M10 - 50 Nm
M12 - 87 Nm	M14 - 138 Nm	M16 - 210 Nm

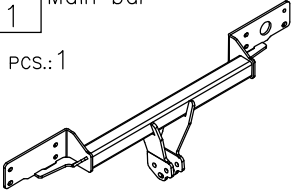


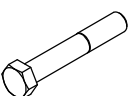

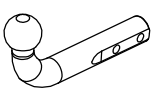
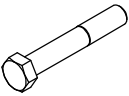

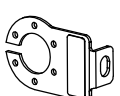
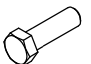

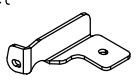
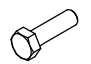

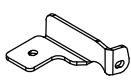


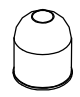
NOTE

After install the towbar you should get adequate note in registration book (at authorised service station). The car should be equipped with:

- Indicators
- Tow mirrors

After 1000km of exploitation check all bolts. The ball of towbar must be always kept clear and conserve with a grease.

Towbar accessories:

Pos. 1 Main bar PCS.: 1 	Pos. 6 Nut on the jib PCS.: 2 	Pos. 12 Plain washer Ø13mm PCS.: 4 
	Pos. 7 Bolt 8,8 B M12x75mm PCS.: 1 	Pos. 13 Spring washer Ø12,2mm PCS.: 4 
Pos. 2 Tow ball PCS.: 1 	Pos. 8 Bolt 8,8 B M12x70mm PCS.: 1 	Pos. 14 Spring washer Ø10,2mm PCS.: 3 
Pos. 3 Socket plate PCS.: 1 	Pos. 9 Bolt 8,8 B M12x35mm PCS.: 2 	Pos. 15 Nut 8 B M12 PCS.: 2 
Pos. 4 Left bracket PCS.: 1 	Pos. 10 Bolt 8,8 B M10x35mm PCS.: 3 	Pos. 16 Nut 8 B M10 PCS.: 3 
Pos. 5 Right bracket PCS.: 1 	Pos. 11 Plain washer Ø30xØ10,5x2,5mm PCS.: 6 	Pos. 17 Rivet Ø4x12mm PCS.: 4 
		Pos. 18 Ball cover PCS.: 1 



PPUH AUTO-HAK Sp.J.

Produkcja Zaczepów Kulowych
Henryk & Zbigniew Nejman
76-200 SŁUPSK ul. Słoneczna 16K
tel/fax (059) 8-414-414; 8-414-413
E-mail: office@autohak.com.pl
www. autohak.com.pl

Towing hitch (without electrical set)

Class: **A50-X** Cat. no. **R34**

Designed for:

Manufacturer: **FIAT**

Model: **PANDA**

Type: **4x4**

produced since 09.2004

Technical data:

D-value: 4,79 kN

maximum trailer weight: **800 kg**

maximum vertical cup load: **60 kg**

Approval number acc. to regulations EKG/ONZ 55.01: **E20-55R-01 1027**

Foreword

This towbar is designed according to rules of safety traffic regulations. The towing hitch is a safety component and can be install only by qualified personnel. Any alteration or conversion of the towing hitch is prohibited and would lead to cancellation of design certification. Remove insulating compound and underseal from vehicle (if present) in the area of the matting surfaces of the towing hitch.

The vehicle manufacturer's specifications regarding trailer load and max. vertical cup load are decisive for driving, and values for the towing hitch cannot be exceeded.

D-value formula:

$$\frac{\text{Max trailer weight [kg]} \times \text{Max vehicle weight [kg]}}{\text{Max trailer weight [kg]} + \text{Max vehicle weight [kg]}} \times \frac{9,81}{1000} = D \text{ [kN]}$$